



SPECIFICATIONS SM15

FEATURES

- High output, two-way stage-monitor system
- 1x 15-in LF, vented
- 3-in voice coil/1.4-in exit neodymium HF (40° x 60° coverage pattern)
- Angles up 53°

APPLICATION

Applications include:

- Concert Tours
- Major Televised Events
- Large Houses of Worship
- Corporate Events
- Cathedrals
- Live Music Clubs

PERFORMANCE

Frequency Response (Hz)	
±3 dB	75 Hz to 17 kHz
-10 dB	50 Hz
Axial Sensitivity (dB SPL, 1 Watt @ 1m)	
LF	98
HF	110
Impedance (Ohms)	
LF	8
HF	8
Power Handling (Watts, Continuous)	
LF	800
HF	200
Recommended High-Pass Frequency	
24 dB/Octave	50 Hz
Calculated Maximum Output (dB SPL)	
LF Peak	133.0
HF Peak	139.0
LF Long Term	127.0
HF Long term	133.0
Nominal Coverage Angle, -6 dB Points (degrees)	
Horizontal	40
Vertical	60



PHYSICAL

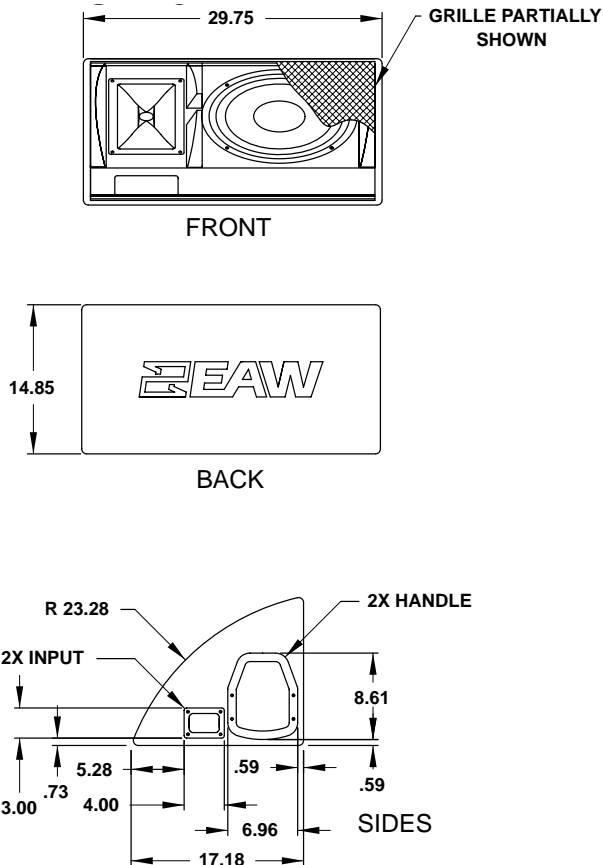
LF Subsystem	1x 15-in, vented	
HF Subsystem	3-in voice coil/1.4-in exit neodymium compression driver on constant directivity horn	
System Configuration	Full range floor monitor	
Powering Mode	Bi-amplified	
Cabinet Type (shape)	Stage monitor	
Enclosure Materials	Baltic birch plywood	
Finish	Wear-resistant textured black paint	
Connectors	4x Neutrik NL4 Speakon (2 per side)	
Grille	Powder coated perforated steel, foam backed	
Dimensions	Inches	Millimeters
	Height	14.9 377
	Width	29.8 756
	Depth	17.2 436
Weights	Pounds	Kilograms
	Net Weight	73.00 33.20
	Shipping Weight	78.00 35.50





SPECIFICATIONS SM15

DIMENSIONAL DRAWING



A & E SPECIFICATIONS

The two-way full range loudspeaker system shall incorporate a 15-in neodymium LF transducer and a 3-in voice coil/1.4-in exit neodymium compression driver. Powering mode is bi-amplified.

The LF driver shall be mounted in a vented enclosure tuned for optimum low frequency response. The HF driver shall be loaded on a constant directivity horn with a nominal coverage pattern of 40° (h) x 60° (v).

System frequency response shall vary no more than ± 3 dB from 75 Hz to 17 kHz measured on axis. The LF shall produce a Sound Pressure Level (SPL) of 98 dB SPL on axis at 1 meter with a power input of 1 Watt, and the HF shall be capable of producing an output of 110 SPL on axis at 1 meter with a power input of 1 Watt. The LF shall handle 800 Watts of amplifier power (continuous) and the HF shall handle 200 Watts of amplifier power. Both shall have a nominal impedance of 8 Ohms.

The loudspeaker enclosure shall be irregularly triangular in shape with its baffle angled up 53°. It shall be constructed of multi-ply, void-free cross-grain-laminated Baltic birch plywood and shall employ extensive internal bracing. It shall be finished in wear-resistant textured black paint. Input connectors shall be 4x Neutrik NL4 Speakon (2 per side). The front of the loudspeaker shall be covered with a powder coated perforated steel grille backed with open cell foam to protect against dust.

The two-way full range loudspeaker shall be the EAW model SM15.

509070 (A)
8/31/99

Manufacturing tolerances are +/- 0.13 and +/- 1°

