



Product Specification Sheet

Rama High Performance 175 PC

4.5° - 62°



The Rama High Performance 175 PC (1.0kW / 1.2kW, 175mm lens) provides an adjustable cone of light has a soft edge and is easily blended with adjacent beams to provide even illumination.

The custom designed PC lens produces outstanding light output and unmatched beam quality, similar to a profile beam with 114 Hamburg Frost.

Features

Custom lens delivers up to 50% more light, and unmatched beam quality.

Integrated safety bond rated for the fitting; maximum free length = 830mm.

Adjustable yoke balance point.

'Swing-down' door for easy access to lamp or cleaning. Disconnects the mains power supply on opening.

Smooth 'posi-slide' focus system, no metal to metal contact.

Constructed of aluminium extrusion and moulded engineering plastics.

Cooler operation due to use of engineering plastics on front (colour frame mount) and rear of luminaire.

Heat-insulated rear grab-handle which doubles as handy storage for the 1m cable length.

Tilt and focus scale is in real degrees allowing for accurate WSYIWYG implementation.

Lamps: 220V-240V

T/29 1200W 27,600 lumens	400 hours average life
CP901200W 30,000 lumens	200 hours average life
T/11 T/19 1200W 21,500 lumens	750 hours average life
CP70 1200W 25,000 lumens	200hours average life

Order codes

16RAPC175
Rama 175 PC - GX9.5 lamp base

16RAPC175G22
Rama 175 PC - G22 lamp base

16RAPC175MY
Rama 175 PC - GX9.5 lamp base for motorised yoke

20BDSF12
Rama barndoor

20SM6
Rama lens safety mesh

Approvals

Compliant to CE standards.



Photometric data

Tests conducted using a standard T29, 1200W, 230V lamp.
 Peak candela at 4.5 - 342,000
 Peak candela at 62 - 14,220

		Beam Diameter									
Beam angle	4.5 degrees, m	0	0.2	0.3	0.5	0.6	0.8	0.9	1.1	1.3	
Beam angle	62 degrees, m	0	2.4	4.8	7.2	9.6	12.0	14.4	16.8	19.2	
Throw Distance	Metres	0	2	4	6	8	10	12	14	16	
		Light Output in Lux									
Lamp											
Philips 230V T/29 1200W	Spot	85500	21375	9500	5344	3420	2375	1745	1336		
	Flood	3552	888	395	222	142	99	72	56		

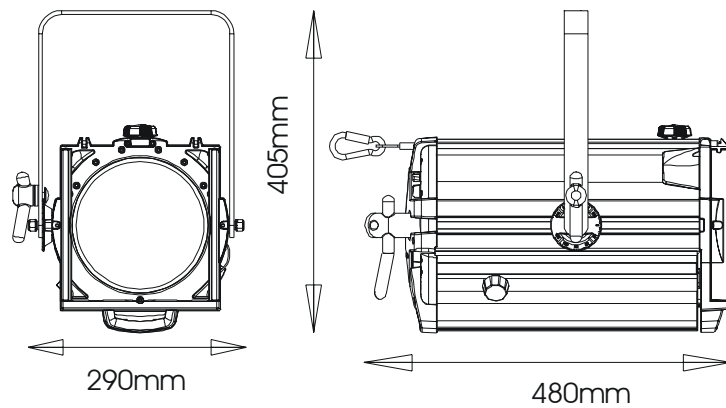
Physical data

Weight: 7.2kg

Packed weight: 8.1kg

Colour frame size: 186mm x 190mm

Included: 1x colour frame, yoke nut & bolt, instruction sheet.



Selecon reserves the right to change the specifications without notice (September 2009)